

Roadside Brake Adjustment

If the driver has to adjust brakes on the road, the following procedure is recommended:

NOTE

If the vehicle is equipped with an automatic slack adjuster, use a pry bar to pull on the slack adjuster. If movement is more than 5/8", the following manual adjustment procedure should be made. If the automatic slack adjuster needs adjustment, inform maintenance personnel.

1. Block the wheels or mechanically secure the vehicle. On the brakes to be adjusted, spring brakes must be mechanically caged or released with air.
2. Rotate the adjusting mechanism until the brake shoes contact the drum. Using a pry bar, pull on the slack adjuster by hand to make sure it will not move. If there is movement, adjustment was made in the wrong direction. Therefore, the adjusting mechanism must be turned in the opposite direction. Tap the brake drum with a wrench. You should hear a dull clunk—indicating the brake linings are tight against the drum.
3. Back off the slack adjuster a small amount at a time, while tapping on the brake drum with a wrench in between adjustments. Stop backing off the adjuster when you hear a clear ringing sound from the brake drum when tapped with a wrench.
4. Using a pry bar, pull on the slack adjuster by hand. If movement is more than 5/8", adjustment was not done properly or there is a problem with the foundation brake.

NOTE

Some brake chamber push rods are marked to warn of an over-stroke condition. While the marking themselves may vary, the marking system has two basic features: (1) There is a mark on the brake chamber push rod near its clevis attachment to signal that it incorporates a stroke alert indicator (See fig. 7, diagram B). (2) There also is a mark on the brake chamber push rod—opposite its clevis attachment end—which is exposed from the brake chamber wherever over-stroke occurs (See fig. 7, diagram C).

RM Brakes Co., Ltd. www.rmbrakes.com

🏠 No. 8 Shitian Road, Yangchenhu Town, Xiangcheng District, Suzhou, China

✉ sales@rmbrakes.com

☎ 0086-512-69580967

📠 0086-512-68766571

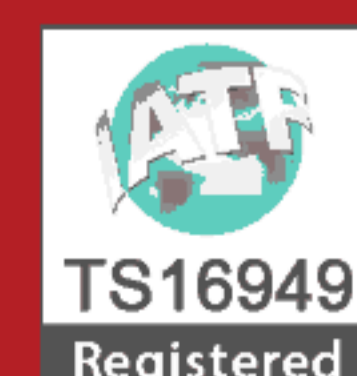
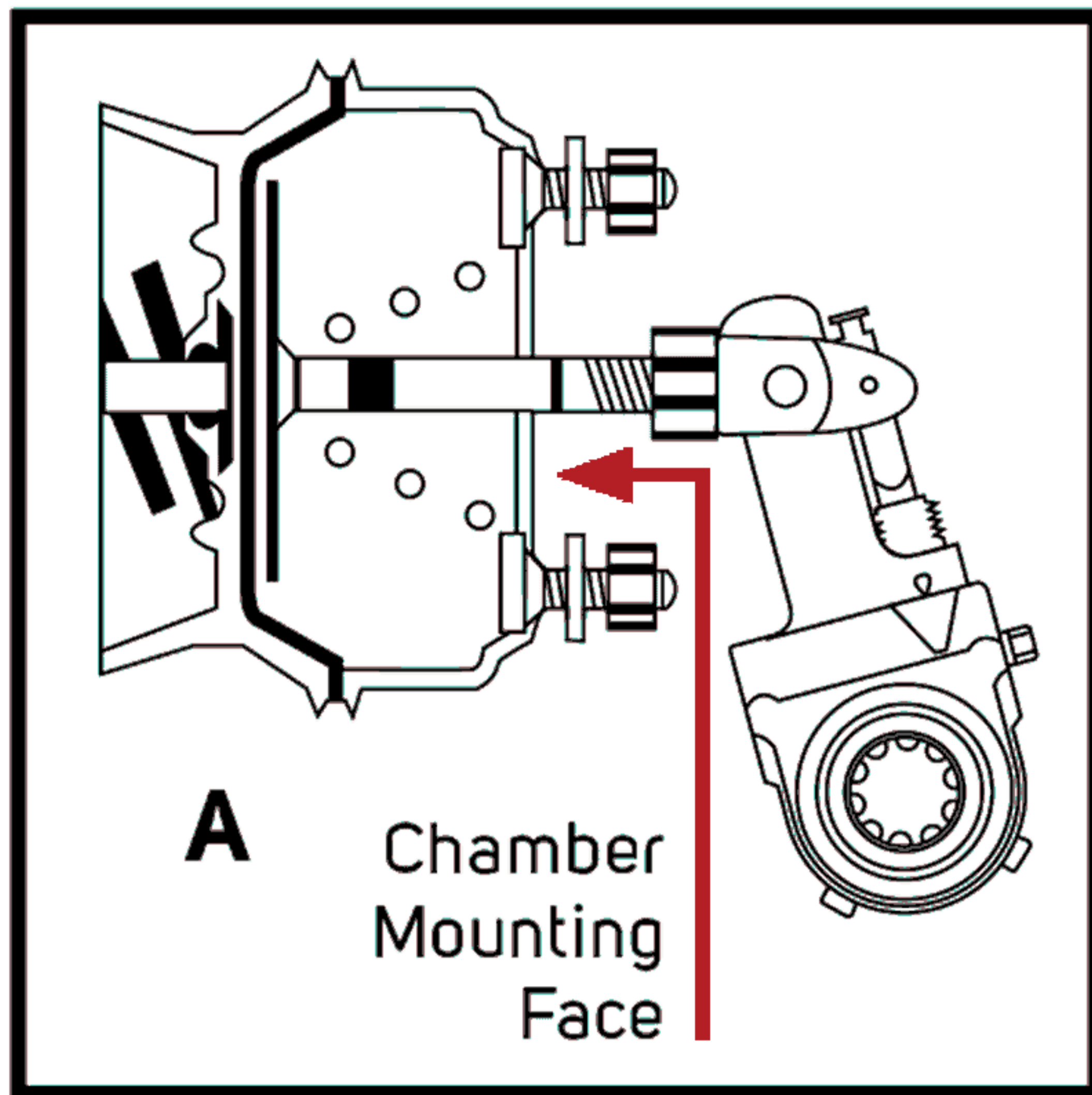
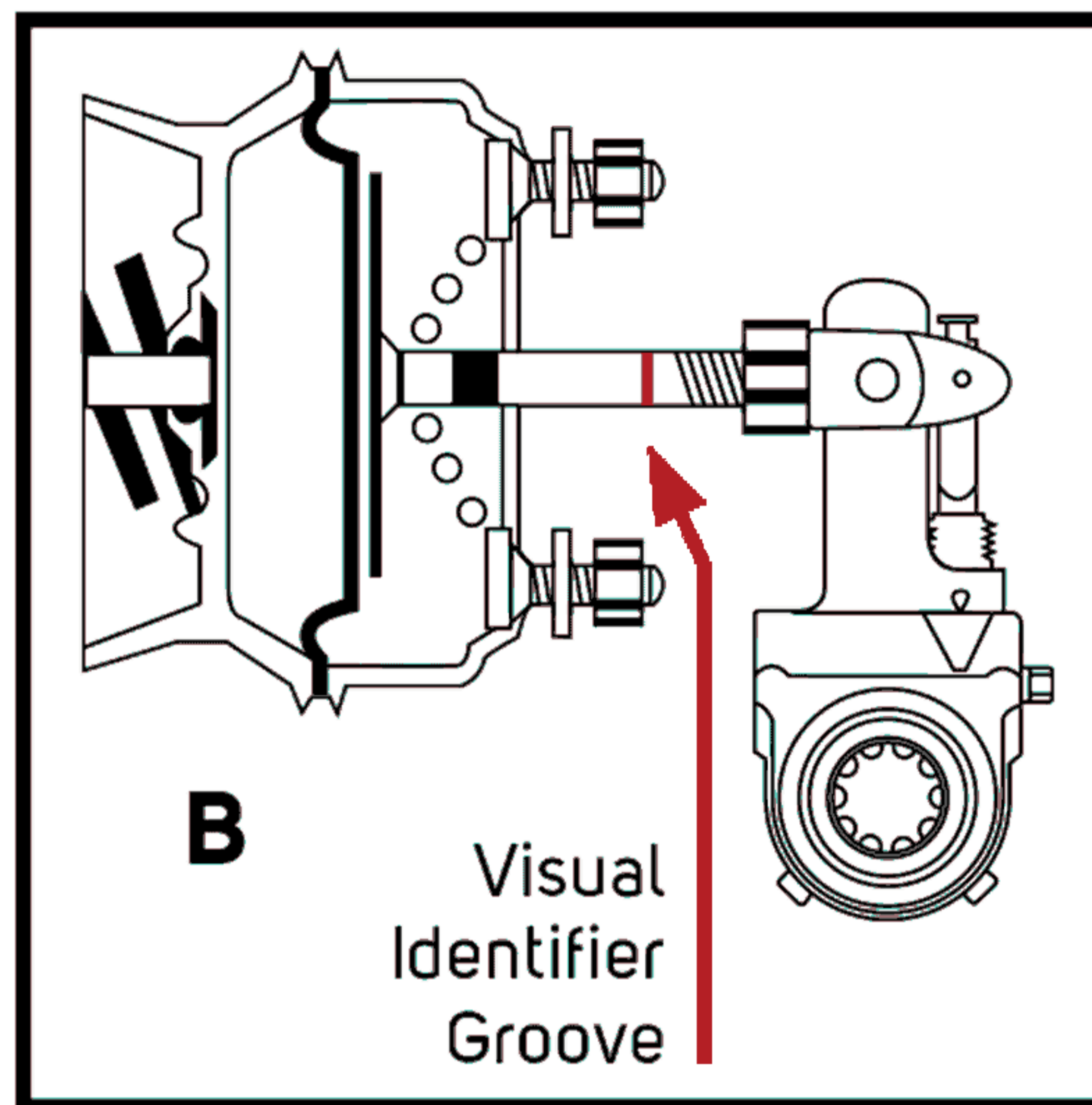


Figure 7

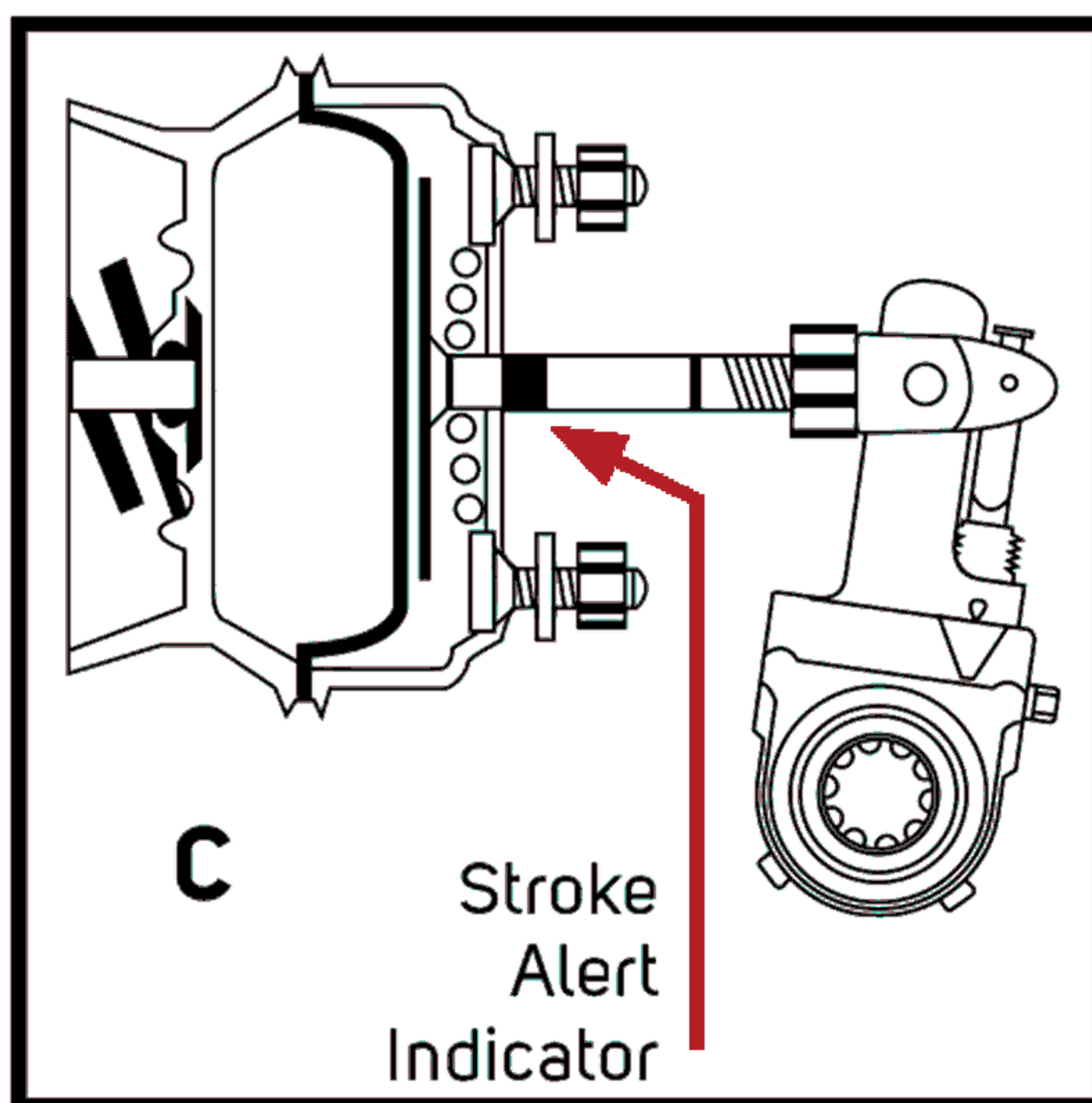
Brakes Released



Brakes Applied



Improper Installation or Brakes Out of Adjustment



RM Brakes Co., Ltd. www.rmbrakes.com

🏠 No. 8 Shitian Road, Yangchenhu Town, Xiangcheng District, Suzhou, China

✉ sales@rmbrakes.com

☎ 0086-512-69580967

📠 0086-512-68766571

